

# Olympus Sashiko Kit

# Shoulder bag

Kit  
#1

- ◆ This kit contains;
  - Fabric: Olympus Sashiko fabric #4500 Navy 90 cm x 70 cm
  - Thread: Olympus Sashiko thread, White(thick) 3 skeins
  - Needle: Olympus Sashiko needle, long and short, one pce each
  - Tool: Olympus Sashiko thimble 1 pce
- \* Lining fabric is not included.(90cm×35cm)

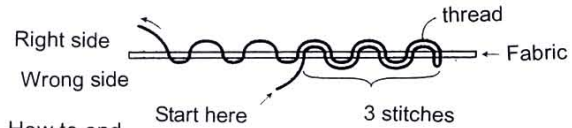
## ◆ Tips

- One skein of Sashiko thread is 13 meters long. Cut at the knot, making 13 one-meter threads. (ref. Fig. 1) One thread consists of 8 strands. ( Before stitching, whip(stroke) the thread once to make beautiful finish.
- Stitch lines of the right side three times as long as the ones of wrong side and keep all the stitches of each side, the same length.
- Do not make a knot. Please refer to " How to stitch ".
- After finishing, rinse the cloth gently in water. Dry it the shade, while the cloth is slightly wet, press on the back with an iron at warm setting.

## ■ How to stitch

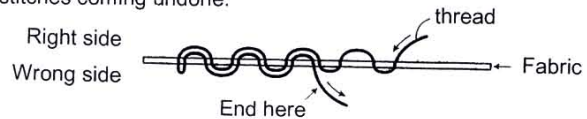
### ① How to start

Start by taking several stitches towards the start of the stitch line, going in the opposite direction to your planned route, then turn around and stitch back over your first stitches, sewing back through the original thread.



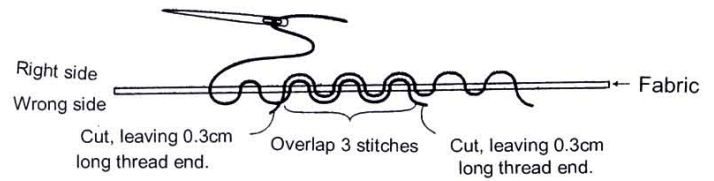
### ② How to end

At the end of the thread, repeat this in reverse – about 1/2 – 1in(1.3-2.5cm) of overlapped stitches will be enough to stop stitches coming undone.



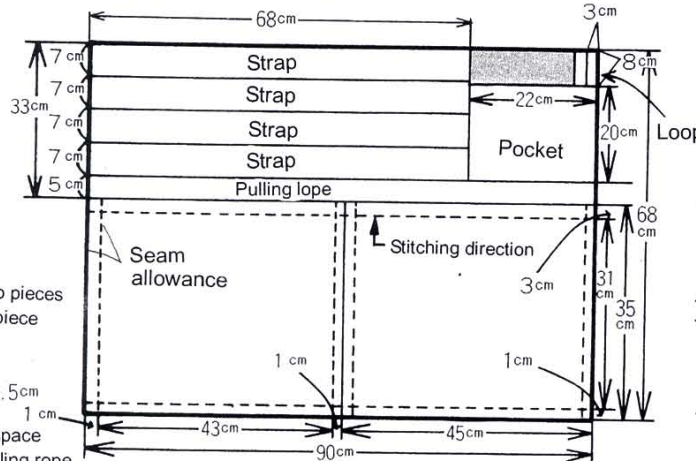
### ③ How to tie the thread

Cut the thread, leaving 0.1inch(0.3cm) at the back side. Turn around and start stitching from several stitches back, over the previous work and continue normal stitching.

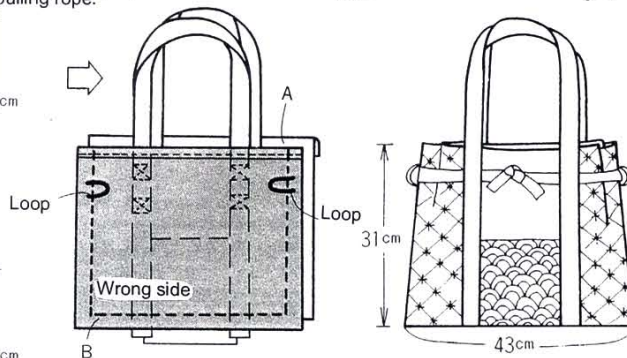
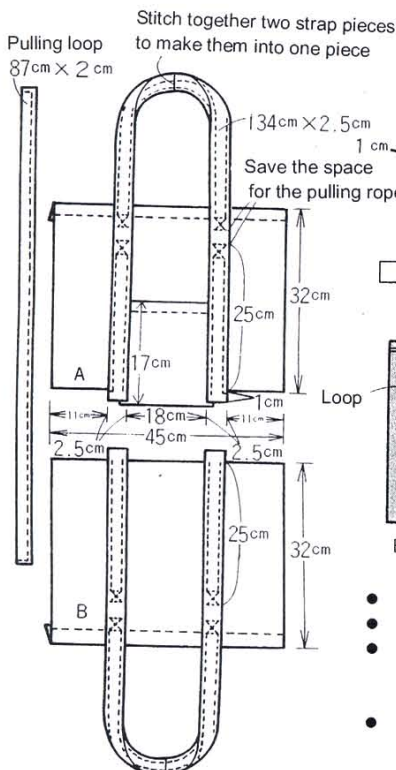


## ■ How to cut

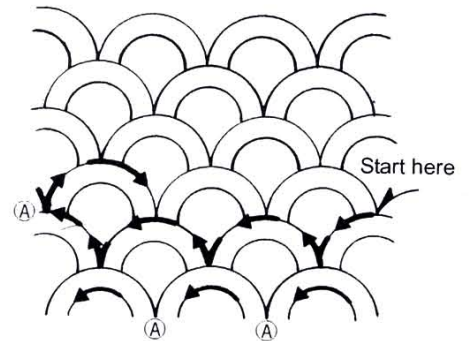
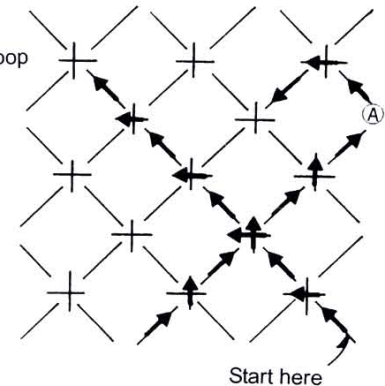
- Seam allowances are included.



## ■ How to finish



- Stitch fabrics for straps and a pulling rope to finish as per designated size.
- Attach straps to B and attach straps and a pocket to A as shows.
- Put the wrong side of A and B together and stitch them together. (Put loops between A and B at the pulling rope position and stitch them together. Loop: fold a loop piece in half and its finished size is 0.7cm wid x 8cm )
- After finish stitching, turn it to make the right side out. Put the pulling rope through the loops.



In case of A, loop across the back.