



TOOL-LESS PLASTIC SNAP FASTENERS

HOW TO

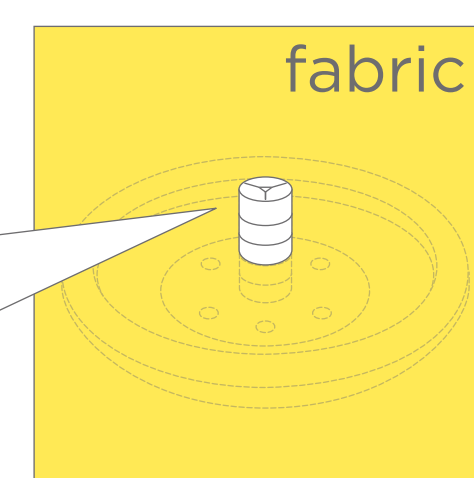
FingerSnaps Elements	 CAP x2	 SOCKET x1	 STUD x1
-----------------------------	---	--	--

FABRIC THICKNESS GUIDE		Single	Double
Thin	Nylon Taffetta, Cotton Lawn...	washer ✓	washer ✓
Medium	Sheeting, Oxford...	washer ✓	✓
Heavy	Canvas, Jeans, Quilted Fabric...	✓	✓
Super Heavy	Thick Canvas, Thick Felt...	✓	✓

- ✓ For best results, the prong of the cap should stick out of the fabric by 1/16" (1.5mm)
- ✓ For ultra thin fabric, use the "FingerSnaps Washer" to adjust thickness (sold separately)



abt. 1/16"

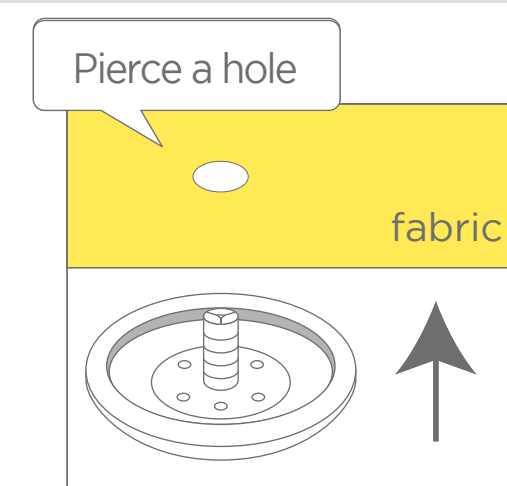


- ✓ Test on fabric scrap cut from project fabric before use.
- ✓ Avoid attaching FingerSnaps onto a fabric outside the recommended range. In particular FingerSnaps may not close properly when used on ultra thin fabric.

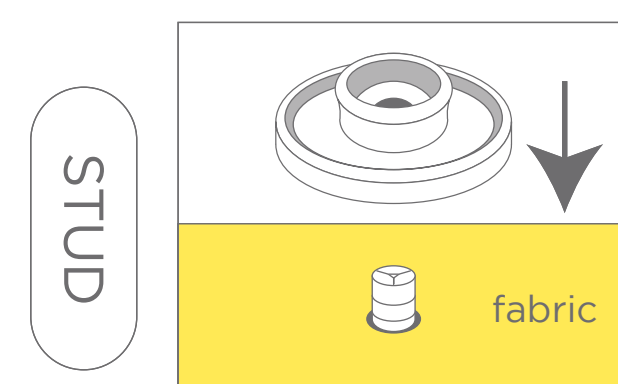
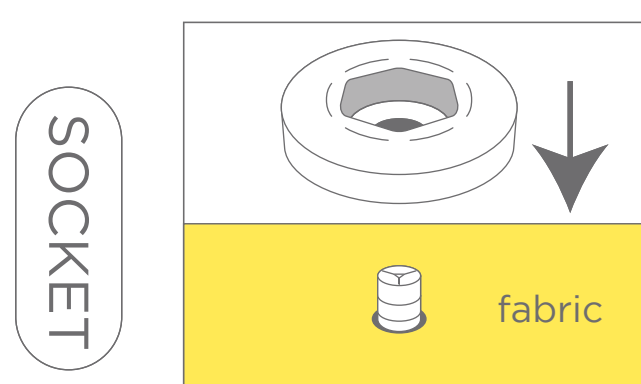
① PIERCE A HOLE IN THE FABRIC

Use an awl and pierce a hole through all the layers of the fabric where you want to attach the FingerSnap.

- ✓ Allow the prong to stick out by 3mm 1/8"
- ✓ Make sure no thread gets stuck in between the slits of the prong



② INSERT THE SOCKET (STUD) & SNAP IN PLACE



Set the socket (stud) on the prong of the cap as shown above. Push it in firmly until you cannot hear any more "clicks"

TIPS

- ✓ Apply force from above to set the socket & stud.
- ✓ Once set, FingerSnaps are locked-in. Please test before use.
- ✓ Do not re-use if removed.

BEHIND THE SCENES

The +fab fingerSnaps are Made in Japan on state-of-the-art injection machines.

Taking advantage of the latest advancements in energy and waste management processes, the +fab fingerSnaps are responsibly produced and certified both Plastic Smart & Oeko-Tex Standard 100 Class I. A lot of thoughts went into limiting their impact on the environment and make them completely safe.

① Re-using of injection scraps.

Injection molding scraps generated during manufacturing are automatically collected, crushed and melted back into the next injection cycle. This leads to a 50% reduction in the quantity of raw material needed.

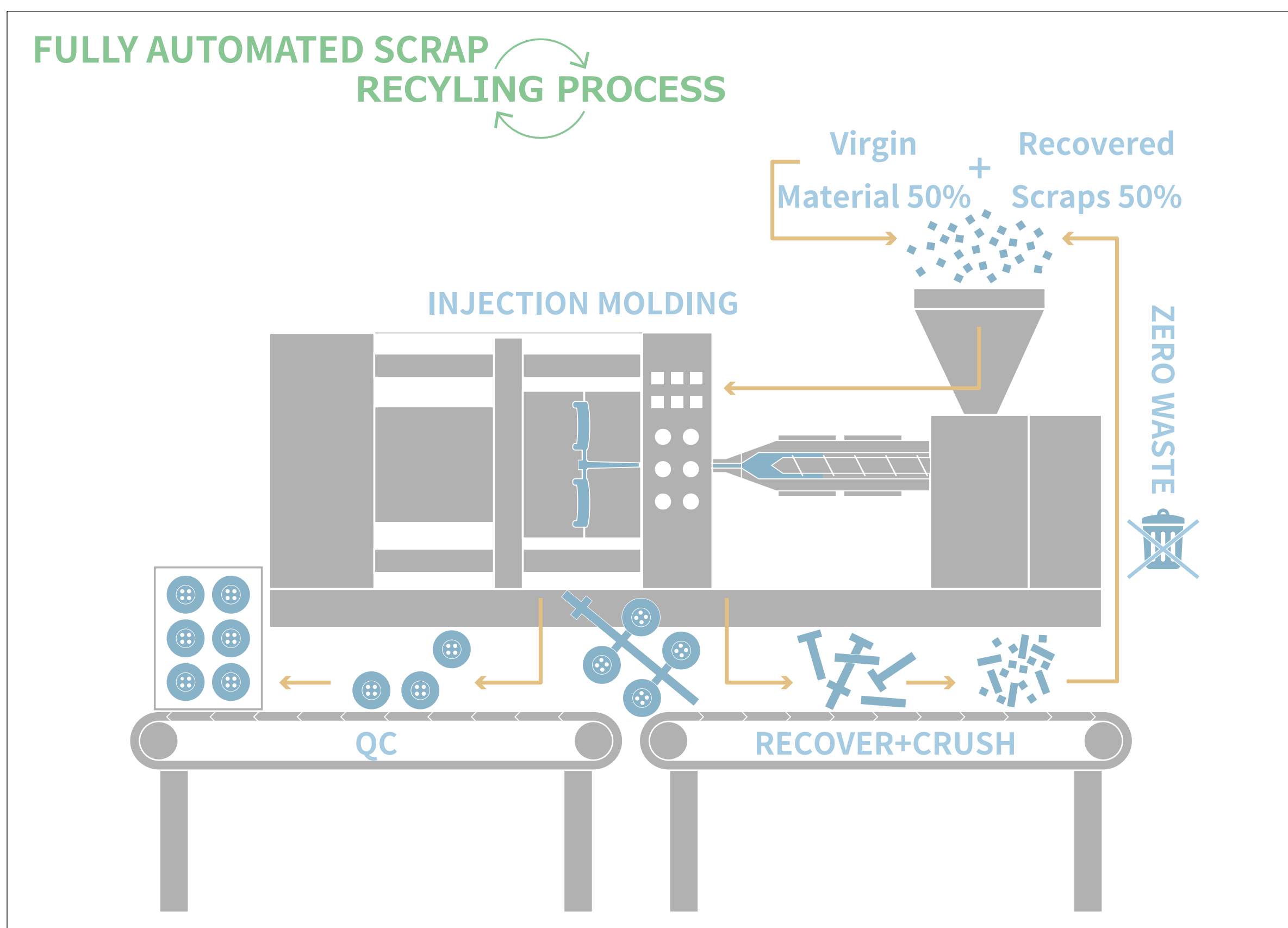
② Reduction of water consumption.

fingerSnaps get their vibrant colors through “internal coloring” . Internal coloring is a method of coloring plastics by kneading colorants which uses less water, fewer chemicals and by extension lead to lower CO2 emissions and energy consumption.

③ Safe for you and your loved ones

fingerSnaps are tested for harmful substances to the highest Class of the Oeko Tex standard. The Class I includes products for babies and has the strictest requirements and limit values.

We hope you have as much fun using them as we had making them!



OEKO-TEX® is an international standard for the safety of textiles and textiles-related materials and products governed by 18 certification bodies, mainly in Europe. Oeko-Tex® Standard 100 is the highest level of safety certification covering more than 350 hazardous substances and certifies that textile materials and products do not contain harmful chemical substances. The certifying body for Japan is The Nissenken Quality Evaluation Center.



OEKO-TEX® is an international standard for the safety of textiles and textiles-related materials and products governed by 18 certification bodies, mainly in Europe. Oeko-Tex® Standard 100 is the highest level of safety certification covering more than 350 hazardous substances and certifies that textile materials and products do not contain harmful chemical substances. The certifying body for Japan is The Nissenken Quality Evaluation Center.