

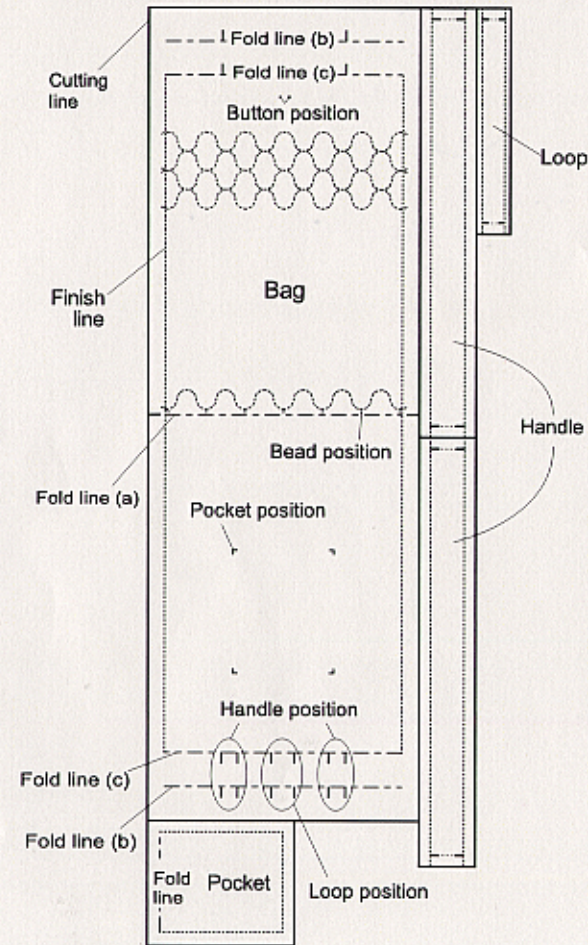
Things required

- Sewing needle, Sewing threads, Basting threads, Scissors, Pins, Ruler, Iron
- ◆ Use the similar colored sewing threads to the fabric.
- ◆ Use pins or basting threads to avoid the fabric to be scooped when sewing.

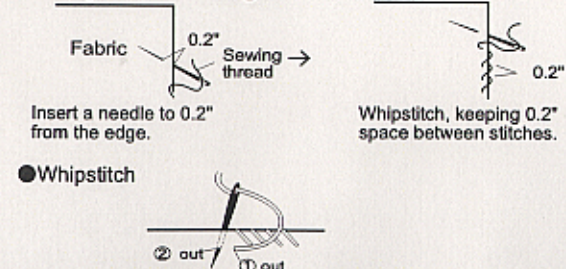
How to make

1 Cut the fabric as instructed and do sashiko stitching.

- ① Cut along the printed lines on the fabric.
- ※ Dashed lines are not cutting lines. Do not cut along them.
- ※ When folding the fabric, take care not to show the printed lines.



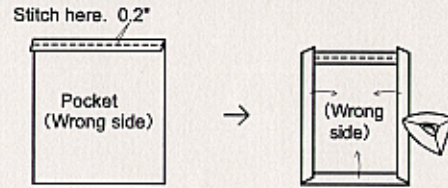
② Whipstitch the edges.



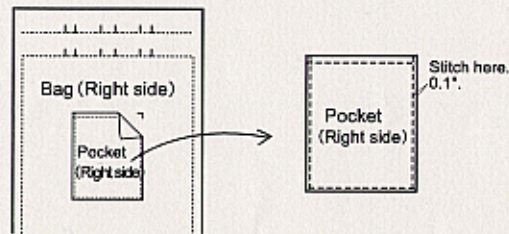
③ Sashiko stitching
Stitch along with the printed line.
(Refer to the stitching order.)

2 Make a Bag.

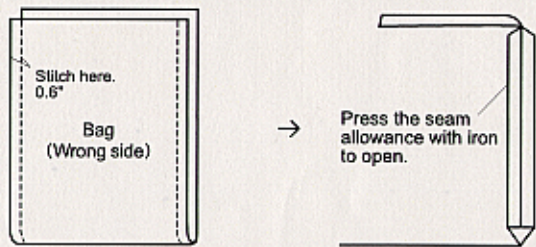
- ① Whipstitch around the pocket edges. Fold a top seam allowance inside and stitch as shown. Fold the other seam allowance inside with iron.



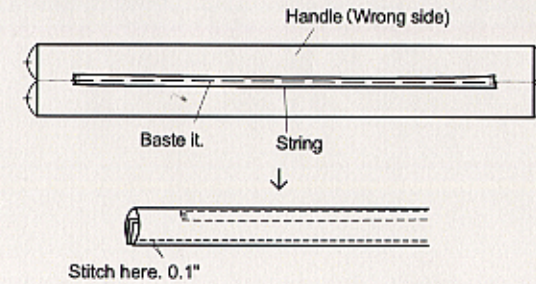
② Stitch the pocket to the bag panel.



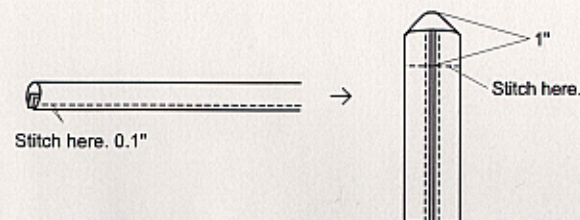
③ With right side together, fold the bag panel at line (a) and stitch the both sides.



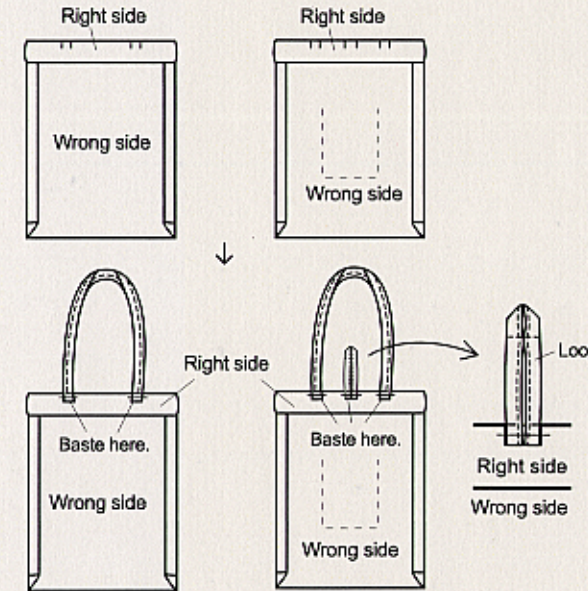
④ Make handles. Cut the string to make 2 pcs of 12". Put it at the centerline of handle and baste it. Turn the seam allowance inside and fold it into half. Stitch the side.



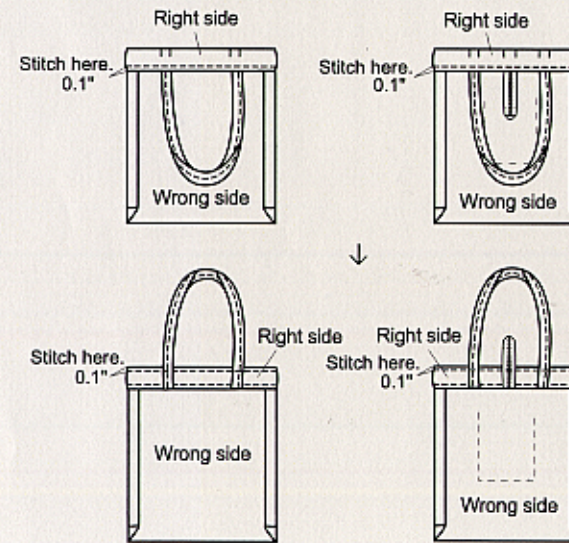
⑤ Make a loop. Turn the seam allowance inside and fold it into half. Stitch the side.



⑥ Fold the bag panel at line (b) and baste the handles and the loop.



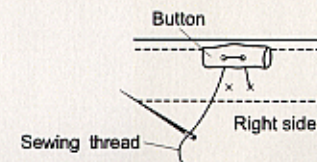
⑦ Fold it at line (c) and stitch. Then turn the handles and loop upward and stitch as shown.



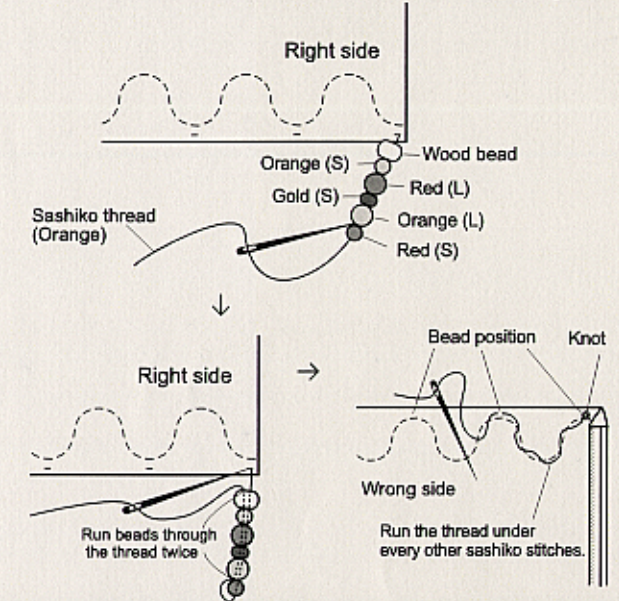
※ Remove the basting thread.

3 Sew on a button and beads.

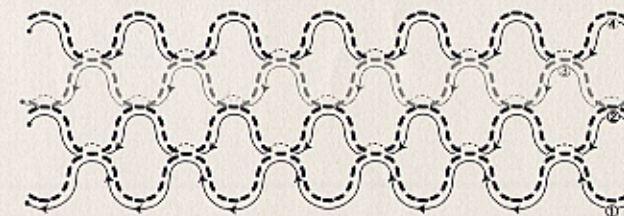
① Turn and stitch a button at the bag.



② Tie the sashiko thread at the end and insert the needle from the wrong side. Run beads through the thread as instructed and attach beads at 7 places.



Stitching order



----- Ivory ----- Orange

Pay attention !
Needles are included in this kit.